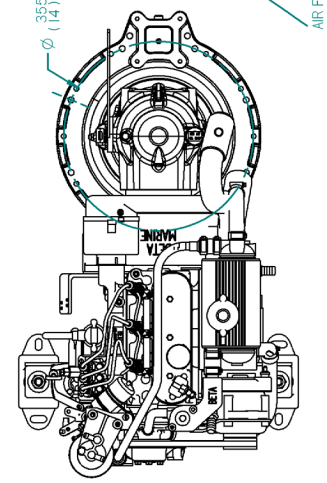
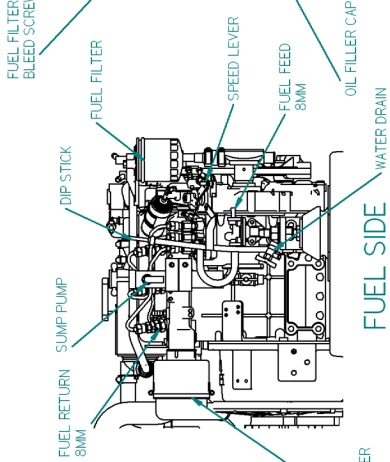
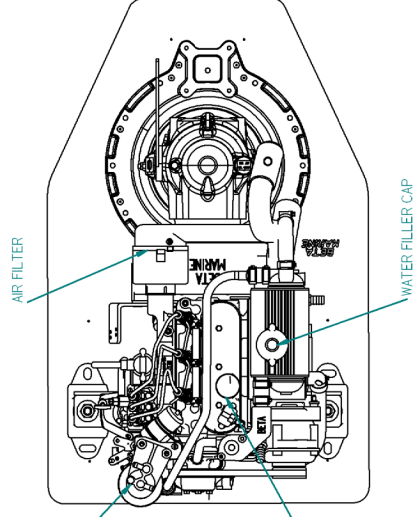
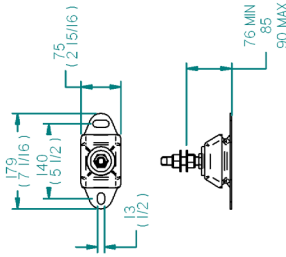
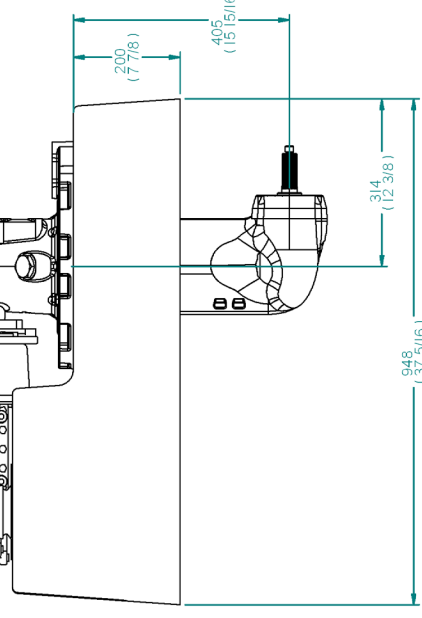
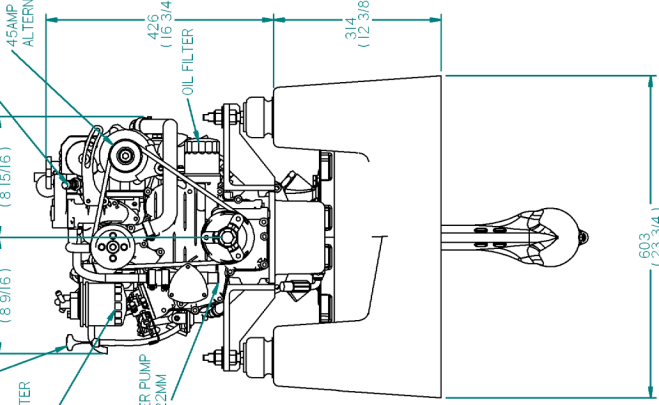
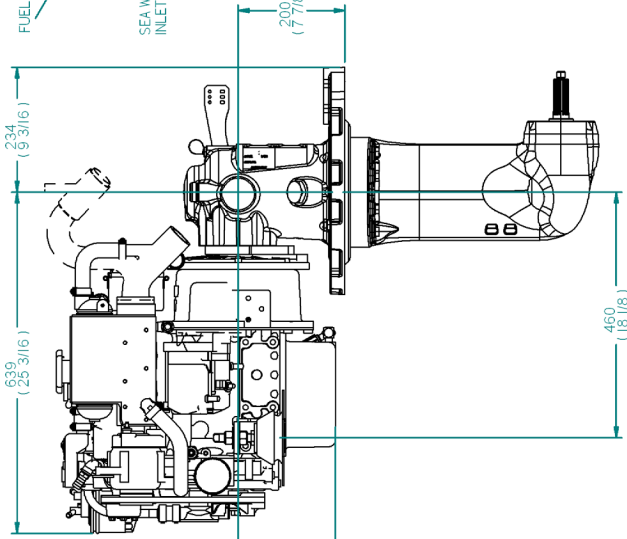
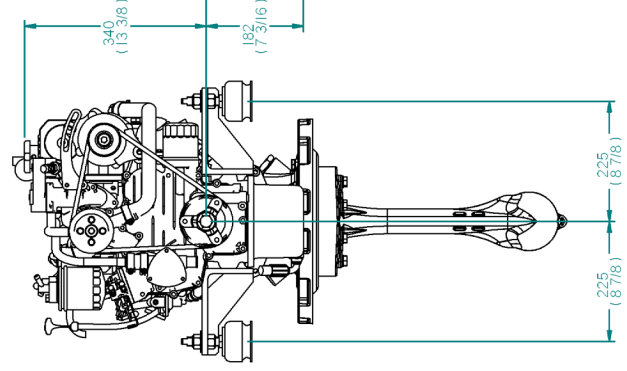
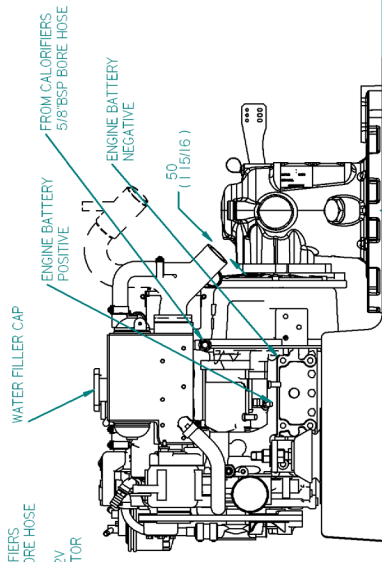


FLEXIBLE MOUNT



FUEL SIDE



REV	DESCRIPTION	DATE	APPD	DRAWN

NOTES

TITLE: **BETA20 HEAT EXCHANGE SEA PROP 60**

DIMENSIONS IN MM (INCH) DO NOT SCALE

PART FILE NAME: BETA 20 HE SEAPROP 60 100-08836.asm

DRAWN BY: **TW AS** CHECKED BY: **LT**

SCALE: **1 of 1**

DATE: **02/12/2010**

REV: **00**

DWG NO: **100-08836**

SIZE: **A3**

SCALE: **NTS**

PAGE: **1 of 1**

DATE: **02/12/2010**

BETA MARINE

BETA MARINE LTD. DAYWAY WATERWELLS, GLOUCESTERShire GL2 2AD, UK

TEL: (01452) 724492 FAX: (01452) 728916